



The new degree of comfort.™

## Rheem *Classic*® Series Downflow Gas Furnace



### RGLN- Series

80% A.F.U.E.†

Input Rates 50-150 kBTU



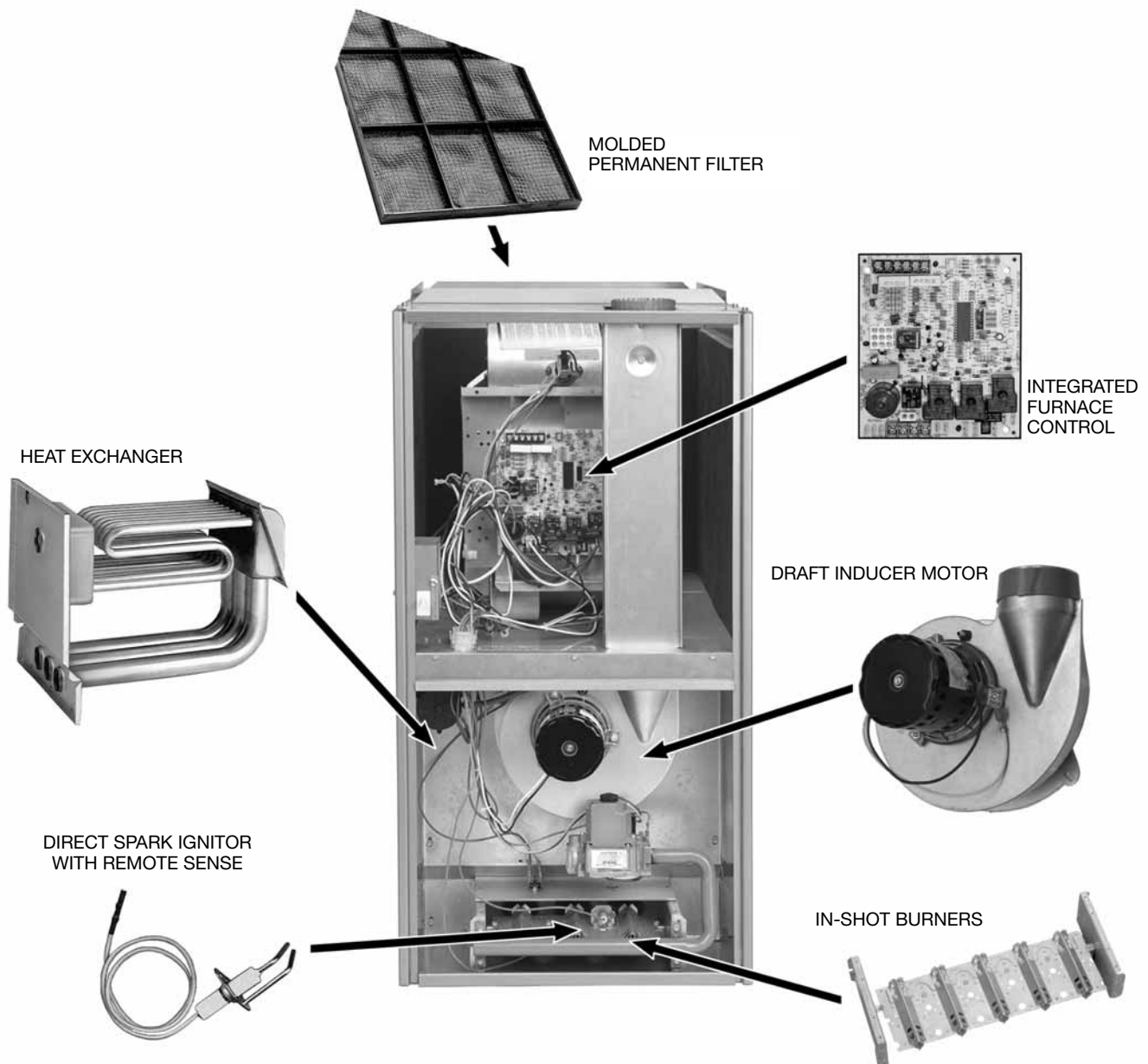
†A.F.U.E. (Annual Fuel Utilization Efficiency) calculated in accordance with Department of Energy test procedures.

- The Rheem *Classic*® Series *Super Quiet 80*™ line of downflow gas furnaces is designed for installation in closets, alcoves, utility rooms, or attics. The design is certified by CSA International.
- Innovative design results in reliable, efficient operation at sound levels which provide distinct competitive advantage.
- Patented heat exchanger, constructed of aluminized steel for the maximum in corrosion resistance and thermal fatigue reliability.
- Low profile “34 inch” [864 mm] design is lighter and easier to handle, and leaves room for optional equipment.
- Left or right side gas and electric inlet connections with quick, simple change.
- Direct Spark ignition.
- Integrated board with humidifier and electronic air cleaner hookups.
- Insulated blower compartment helps to reduce jacket loss and noise.
- Pre-paint galvanized steel cabinet.
- Molded permanent filter.
- Grab-holes in doors to aid in easy door removal and replacement.
- A variety of cooling coils and plenums designed to use with Rheem *Classic*® Series *Super Quiet 80*™ gas furnaces are available as optional accessories.



## TABLE OF CONTENTS

Standard & Optional Equipment .....	3
Model Features/Physical Data & Specifications.....	4
Model Number Identification .....	5
Dimensional Data.....	6
Blower Performance Data.....	7
Accessories.....	8
Limited Warranty .....	9



## STANDARD EQUIPMENT

Completely assembled and wired; induced draft; pressure switch; redundant main gas control; blower compartment door safety switch; solid state time on/time off blower control; limit control; manual shut-off valve, pressure regulator for natural and L.P. (propane) gas; transformer; direct drive multi-speed blower motor. Furnaces are equipped with cooling/heating relay and transformer (40VA) ready for air conditioning applications. (Please note: a thermostat is not included as standard equipment.) Flame sensor diagnostics; on-board twinning; fused-protection (secondary), **3rd speed option for continuous fan; common heat/cool terminal.**

## OPTIONAL EQUIPMENT

NOTE: Furnace is not listed for use with fuels other than natural or L.P. (propane) gas.

**The complete terms of limited and other warranties are available at our sales office, or through local installer.**

All models can be converted by a qualified Rheem distributor or local service dealer to use L.P. (propane) gas without changing burners. Factory approved kits must be used to convert from natural to L.P. (propane) gas and may be ordered as optional accessories from a Rheem parts distributor.

For L.P. (propane) operation, refer to Conversion Kit Index Form.

NOTE: For natural and L.P. (propane) gas models, direct spark ignition is 100% lockout type.

## WARNING

THIS FURNACE IS NOT APPROVED  
OR RECOMMENDED  
FOR USE IN MOBILE HOMES



## Model Features

- Innovative design results in reliable, efficient operation at sound levels which provide distinct competitive advantage.
- Patented heat exchanger, constructed of aluminized steel for the maximum in corrosion resistance and thermal fatigue reliability.
- Low profile “34 inch” [864 mm] design is lighter and easier to handle, and leaves room for optional equipment.
- Left or right side gas and electric inlet connections with quick, simple change.
- Direct Spark ignition.
- Integrated board with humidifier and electronic air cleaner hookups.
- Insulated blower compartment helps to reduce jacket loss and noise.
- Pre-paint galvanized steel cabinet.
- Molded permanent filter.
- Grab-holes in doors to aid in easy door removal and replacement.

## Physical Data and Specifications

### U.S. and Canadian Models

MODEL NUMBERS RGLN- SERIES	05EAUER 05NAUER	07EAMER 07NAMER	07EAMGR 07NAMGR	10EAMER 10NAMER	10EBRJR 10NBRJR	12EARJR 12NARJR	15EARJR 15NARJR
Input–BTU/Hr [kW] ②	50,000 [15]	75,000 [22]	75,000 [22]	100,000 [29.3]	100,000 [29.3]	125,000 [36.6]	150,000 [44]
Heating Capacity BTU/Hr [kW] ①	41,000 [12]	60,000 [18]	60,500 [18]	80,000 [23]	81,000 [24]	99,000 [29]	120,000 [35]
High Altitude Input [kW]	45,000 [13]	67,500 [19.8]	67,500 [19.8]	90,000 [26.4]	90,000 [26.4]	112,500 [33]	135,000 [39.6]
High Altitude Output Capacity [kW]	36,500 [10.7]	53,500 [15.7]	54,000 [15.8]	72,000 [21.1]	72,500 [21.2]	89,000 [26.1]	107,500 [31.5]
Heat Ext. Static Pressure [kPa]	.10 [.025]	.12 [.029]	.12 [.029]	.15 [.037]	.15 [.037]	.20 [.05]	.20 [.05]
Blower (D x W) [mm]	11 x 6 [279 x 152]	11 x 7 [279 x 178]	11 x 7 [279 x 178]	11 x 7 = 10*AM [279 x 178]	11 x 10 [279 x 254]	11 x 10 [279 x 254]	11 x 10 [279 x 254]
Motor H.P. [W]–Speeds [W]–PSC Type	1/2-4-PSC [373]	1/2-4-PSC [373]	3/4-4-PSC [559]	1/2-4-PSC [373]	3/4-4-PSC [559]	3/4-4-PSC [559]	3/4-4-PSC [559]
Motor Full Load Amps	6.8	7.1	9.5	7.1	9.5	9.5	9.5
Heating Speed	MED-LOW	MED-HIGH	MED-LOW	MED-HIGH	MED-LOW	MED-LOW	MED-LOW
Cooling Speed	HIGH	HIGH	MED-HIGH	HIGH	MED-HIGH	MED-HIGH	MED-HIGH
Cooling CFM @ .5" [kPa] E.S.P. (Nominal) [L/s]	1200 [566]	1200 [566]	1600 [755]	1200 [566]	2000 [944]	2000 [944]	2000 [944]
Rated E.S.P. (In. W.C.) [kPa]	0.5 [.12]	0.5 [.12]	0.5 [.12]	0.5 [.12]	0.5 [.12]	0.5 [.12]	0.5 [.12]
Temperature Rise Range °F [°C]	25-55 [13.9-30.6]	35-65 [19.5-36.2]	25-55 [13.9-30.6]	45-75 = 10*AM [25-41.7]	40-70 [22.2-38.9]	40-70 [22.2-38.9]	50-80 [27.8-44.4]
Max. Outlet Air Temp. °F [°C]	155 [68.3]	165 [73.9]	155 [68.3]	190 [87.8]	170 [76.7]	180 [82.2]	170 [76.7]
Standard Filter [mm]	(1) 14 x 20 [356 x 508]	(2) 12 x 20 [305 x 508]	(2) 12 x 20 [305 x 508]	(2) 12 x 20 [305 x 508]	(2) 14 x 20 [356 x 508]	(2) 14 x 20 [356 x 508]	(2) 14 x 20 [356 x 508]
Approx. Shipping Weight (Lbs.) [kg]	85 [38.6]	105 [47.6]	105 [47.6]	115 [52.2]	120 [54.4]	140 [63.5]	150 [68.0]
AFUE–Electric Ignition Models ①	80%	80%	80%	80%	80%	80%	80%

NOTES: All models are 115V, 60HZ, 1Ø. Gas connection size for all models is 1/2" N.P.T.

① In accordance with D.O.E. test procedures.

② See Conversion Kit Index Form for high altitude derate in U.S. applications. For Canadian applications, reference the furnace installation instructions.

[ ] Designates Metric Conversions



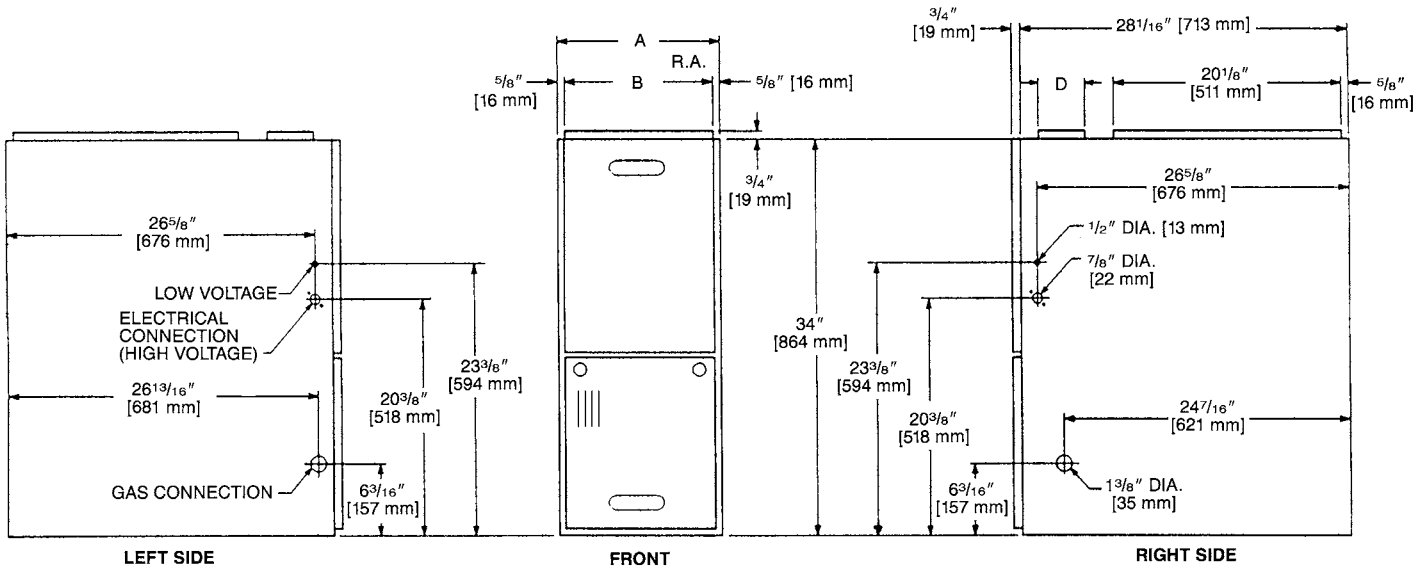
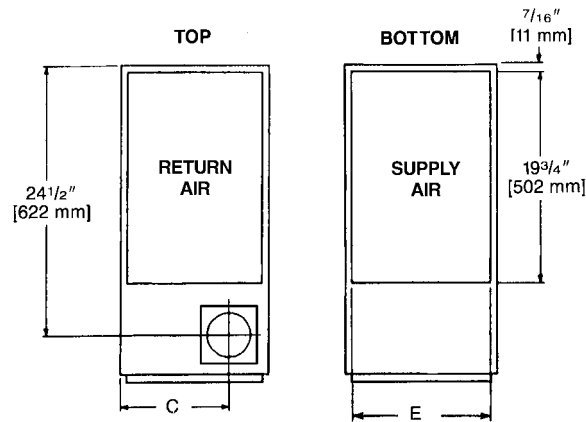


## Model Number Identification—Downflow Models

<b>R</b>	<b>G</b>	<b>L</b>	<b>N</b>	<b>07E</b>			<b>A</b>	<b>M</b>	<b>E</b>	<b>R</b>
Rheem	Gas Furnace	Downflow	Design Series	Heating Input Designation			Variations	Blower Designation	Heating & Cooling Designation	Fuel Type
				Electric Ignition	NOx Model	Input BTU/HR	<b>A</b> = Std. Cabinet	<b>M</b> = 11 x 7 [279 x 178 mm]	<b>S</b> = 500-1200 CFM [236-566 L/s]	<b>R</b> = Natural Gas, U.S. and Canadian Standard Furnace
				05E	05N	50,000 [15 kW]	<b>B</b> = Wide Cabinet	<b>R</b> = 11 x 10 [279 x 254 mm]	<b>E</b> = 1100-1330 CFM [519-628 L/s]	
				07E	07N	75,000 [22 kW]			<b>G</b> = 1450-1750 CFM [684-826 L/s]	
				10E	10N	100,000 [29 kW]			<b>J</b> = 1800-2075 CFM [850-979 L/s]	
				12E	12N	125,000 [37 kW]				
				15E	15N	150,000 [44 kW]				

[ ] Designates Metric Conversions

## Downflow Dimensions



## Dimensions and Clearance to Combustible Material (inches) [mm]

MODEL RGLN-SERIES	A	B	C	D	E	REDUCED CLEARANCES (IN.) [mm]						SHIP. WGT. (LBS.) [kg]
						LEFT SIDE	RIGHT SIDE	BACK	TOP	FRONT	VENT	
05	14 [356]	12 <sup>27</sup> / <sub>32</sub> [326]	10 <sup>3</sup> / <sub>8</sub> [264]	①	13 <sup>1</sup> / <sub>8</sub> [333]	0	4 ②	0	1 [25]	3 [76]	6 [152] ③	85 [38.6]
07	17 <sup>1</sup> / <sub>2</sub> [445]	16 <sup>11</sup> / <sub>32</sub> [415]	12 <sup>1</sup> / <sub>8</sub> [308]	①	16 <sup>5</sup> / <sub>8</sub> [422]	0	3 ②	0	1 [25]	3 [76]	6 [152] ③	105 [47.6]
10 (A)	17 <sup>1</sup> / <sub>2</sub> [445]	16 <sup>11</sup> / <sub>32</sub> [415]	12 <sup>1</sup> / <sub>8</sub> [308]	①	16 <sup>5</sup> / <sub>8</sub> [422]	0	3 ②	0	1 [25]	3 [76]	6 [152] ③	115 [52.2]
10 (B)	21 [533]	19 <sup>27</sup> / <sub>32</sub> [504]	13 <sup>7</sup> / <sub>8</sub> [352]	①	20 <sup>1</sup> / <sub>8</sub> [511]	0	0	0	1 [25]	3 [76]	6 [152] ③	120 [54.4]
12	24 <sup>1</sup> / <sub>2</sub> [622]	23 <sup>11</sup> / <sub>32</sub> [593]	15 <sup>5</sup> / <sub>8</sub> [397]	①	23 <sup>5</sup> / <sub>8</sub> [600]	0	0	0	1 [25]	3 [76]	6 [152] ③	140 [63.5]
15	24 <sup>1</sup> / <sub>2</sub> [622]	23 <sup>11</sup> / <sub>32</sub> [593]	15 <sup>5</sup> / <sub>8</sub> [397]	①	23 <sup>5</sup> / <sub>8</sub> [600]	0	0	0	1 [25]	3 [76]	6 [152] ③	150 [68]

NOTES: ① May require a 3" [76 mm] to 4" [102 mm] or 3" [76 mm] to 5" [127 mm] adapter.

② May be 0" [0 mm] with type B vent.

③ May be 1" [25 mm] with type B vent.

Furnaces must be vented in accordance with the National Fuel Gas Code, ANSI Z223.1 and/or Can/CGA-B149 Installation Codes and in accordance with local codes.

[ ] Designates Metric Conversions



## Blower Performance Data—Downflow Models

MODEL NUMBER RGLN-SERIES	BLOWER SIZE [mm]	MOTOR H.P. [W]	BLOWER SPEED	CFM [L/s] AIR DELIVERY EXTERNAL STATIC PRESSURE INCHES [kPa] WATER COLUMN							
				.1 [.02]	.2 [.05]	.3 [.07]	.4 [.10]	.5 [.12]	.6 [.15]	.7 [.17]	
				05EAUER 05NAUER	11 x 6 [279 x 152]	1/2 [373]	LOW <b>MED-LO</b> MED-HI HIGH	735 [347] <b>1025 [484]</b> 1185 [559] 1345 [635]	715 [337] <b>1015 [479]</b> 1165 [550] 1330 [628]	690 [326] <b>995 [470]</b> 1150 [543] 1310 [618]	660 [311] <b>975 [460]</b> 1130 [533] 1295 [611]
07EAMER 07NAMER	11 x 7 [279 x 178]	1/2 [373]	LOW <b>MED-LO</b> MED-HI HIGH	921 [435] 1094 [516] <b>1239 [585]</b> 1424 [672]	896 [423] 1066 [503] <b>1211 [571]</b> 1398 [660]	870 [411] 1037 [489] <b>1182 [558]</b> 1372 [647]	845 [399] 1014 [478] <b>1164 [549]</b> 1339 [632]	819 [387] 990 [467] <b>1146 [541]</b> 1306 [616]	783 [369] 949 [448] <b>1117 [527]</b> 1267 [598]	746 [352] 907 [428] <b>1087 [513]</b> 1228 [580]	
07EAMGR 07NAMGR	11 x 7 [279 x 178]	3/4 [559]	LOW <b>MED-LO</b> MED-HI HIGH	1210 [571] <b>1580 [746]</b> 1915 [904] —	1205 [569] <b>1560 [736]</b> 1880 [887] 2050 [967]	1195 [564] <b>1550 [732]</b> 1825 [861] 1995 [942]	1180 [557] <b>1530 [722]</b> 1790 [845] 1940 [916]	1165 [550] <b>1495 [706]</b> 1740 [821] 1885 [890]	1155 [545] <b>1465 [691]</b> 1675 [791] 1835 [866]	1130 [533] <b>1430 [675]</b> 1600 [755] 1770 [835]	
10EAMER 10NAMER	11 x 7 [279 x 178]	1/2 [373]	LOW <b>MED-LO</b> MED-HI HIGH	918 [433] 1080 [510] <b>1228 [580]</b> 1436 [678]	896 [423] 1063 [502] <b>1202 [567]</b> 1400 [661]	873 [412] 1045 [493] <b>1176 [555]</b> 1363 [643]	843 [398] 1014 [479] <b>1147 [541]</b> 1336 [630]	813 [384] 983 [464] <b>1118 [528]</b> 1308 [617]	787 [371] 946 [446] <b>1085 [512]</b> 1260 [595]	760 [359] 909 [429] <b>1051 [496]</b> 1212 [572]	
10EBRJR 10NBRJR	11 x 10 [279 x 254]	3/4 [559]	LOW <b>MED-LO</b> MED-HI HIGH	1379 [651] <b>1737 [820]</b> 2182 [1030] 2435 [1149]	1360 [642] <b>1715 [809]</b> 2140 [1010] 2370 [1118]	1340 [632] <b>1693 [799]</b> 2097 [990] 2304 [1087]	1319 [622] <b>1662 [784]</b> 2042 [964] 2246 [1060]	1298 [613] <b>1631 [770]</b> 1987 [938] 2188 [1033]	1266 [597] <b>1594 [752]</b> 1935 [913] 2115 [998]	1234 [582] <b>1557 [735]</b> 1883 [889] 2041 [963]	
12EARJR 12NARJR	11 x 10 [279 x 254]	3/4 [559]	LOW <b>MED-LO</b> MED-HI HIGH	1330 [628] — — —	1295 [611] <b>1690 [798]</b> 2090 [986] 2395 [1130]	1280 [604] <b>1660 [783]</b> 2035 [960] 2335 [1102]	1240 [585] <b>1635 [772]</b> 1985 [937] 2260 [1067]	1215 [573] <b>1580 [746]</b> 1930 [911] 2185 [1031]	1210 [571] <b>1535 [724]</b> 1850 [873] 2080 [982]	1175 [555] <b>1480 [698]</b> 1785 [842] 1965 [927]	
15EARJR 15NARJR	11 x 10 [279 x 254]	3/4 [559]	LOW <b>MED-LO</b> MED-HI HIGH	1300 [614] <b>1675 [791]</b> 2105 [993] —	1280 [604] <b>1650 [779]</b> 2075 [979] 2340 [1104]	1230 [580] <b>1620 [765]</b> 2035 [960] 2290 [1081]	1205 [569] <b>1570 [741]</b> 1990 [939] 2215 [1045]	1170 [552] <b>1545 [729]</b> 1955 [923] 2145 [1012]	1115 [526] <b>1485 [701]</b> 1900 [897] 2080 [982]	1030 [486] <b>1425 [673]</b> 1815 [857] 1995 [942]	

NOTES: Data compiled with factory filters installed.  
Recommended blower speeds are in bold.

[ ] Designates Metric Conversions



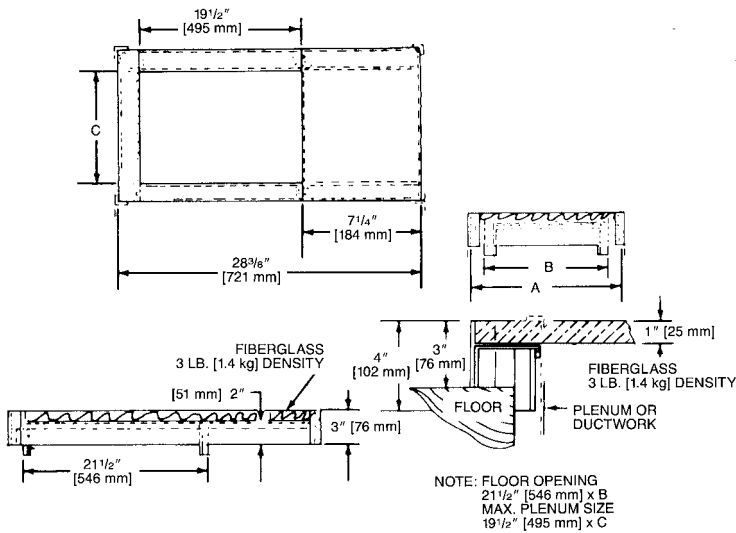
## DOWNFLOW ACCESSORIES

**DOWNFLOW WARNING:** Unit design is certified for installation on non-combustible floor. A special factory supplied combustible floor sub-base is required when installing on a combustible floor. Failure to install the sub-base may result in fire, property damage and personal injury.

## COMBUSTIBLE FLOOR BASE DIMENSIONS

COMBUSTIBLE FLOOR BASE	USE WITH FURNACE SIZES	A IN. [mm]	B IN. [mm]	C IN. [mm]
RXGC-B14	RGLN-05	14 <sup>1</sup> / <sub>2</sub> [368]	13 <sup>1</sup> / <sub>4</sub> [337]	11 <sup>1</sup> / <sub>4</sub> [286]
RXGC-B17	RGLN-07, RGLN-10(-)A	18 [457]	16 <sup>3</sup> / <sub>4</sub> [425]	14 <sup>3</sup> / <sub>4</sub> [451]
RXGC-B21	RGLN-10(-)B	21 <sup>1</sup> / <sub>2</sub> [546]	20 <sup>1</sup> / <sub>4</sub> [514]	18 <sup>1</sup> / <sub>4</sub> [464]
RXGC-B24	RGLN-12, RGLN-15	25 [635]	23 <sup>3</sup> / <sub>4</sub> [603]	21 <sup>3</sup> / <sub>4</sub> [552]

[ ] Designates Metric Conversions



## RXPF-F01 and F02

**FOSSIL FUEL KITS**—are for use with Rheem Heat Pumps and Super Quiet 80 warm air furnaces. The RXPF-F02 meets TVA requirements.

## RXGF-CC\*

**FILTER RACK**—Downflow top return mount.

**NOTE:** Filter racks are shipped without filters.

\*Filters available through PROSTOCK ®.

## FOR HIGH ALTITUDES:

**HIGH ALTITUDE OPTION CODE:** U.S. & Canada – None required for high altitudes.

**HIGH ALTITUDE CONVERSION KITS:** U.S. & Canada – None required for high altitudes.

## 80+ HIGH ALTITUDE INSTRUCTIONS

Caution: Always follow National Fuel Gas Code (NFPA) guidelines when converting for high altitudes.

High altitude option codes are not required for these models. However, the burner orifice size needs to be recalculated and verified at elevations above 2000 ft. See Installation Instructions for more information.

**NOTE:** For Canadian installations only, an optional derate (manifold gas pressure reduction) method may be used to adjust the furnace for altitude. See Installation Instructions for more information. This optional method may **NOT** be used for U.S. installations.



**GENERAL TERMS OF LIMITED WARRANTY\***

Rheem will furnish a replacement for any part of this product which fails in normal use and service within the applicable period stated, in accordance with the terms of the limited warranty.

**\*For complete details of the Limited and Conditional Warranties, including applicable terms and conditions, contact your local contractor or the Manufacturer for a copy of the product warranty certificate.**

Heat Exchanger .....Twenty (20) Years  
Conditional Parts (Registration Required) .....Ten (10) Years







The new degree of comfort.™

*In keeping with its policy of continuous progress and product improvement, Rheem reserves the right to make changes without notice.*

Rheem Heating, Cooling & Water Heating • P.O. Box 17010  
Fort Smith, Arkansas 72917 • [www.rheem.com](http://www.rheem.com)

Rheem Canada Ltd./Ltée • 125 Edgeware Road, Unit 1  
Brampton, Ontario • L6Y 0P5



INTEGRATED HOME COMFORT

PRINTED IN U.S.A 10/13 QG FORM NO. G11-519 REV. 1